



(11) **EP 2 745 756 B1**

(12) **EUROPEAN PATENT SPECIFICATION**

(45) Date of publication and mention of the grant of the patent:  
**08.07.2015 Bulletin 2015/28**

(51) Int Cl.:  
**A47J 37/10 (2006.01)**

(21) Application number: **13198378.5**

(22) Date of filing: **19.12.2013**

(54) **Improved cooking vessel**  
Verbesserter Kochbehälter  
Récipient de cuisson améliorée

(84) Designated Contracting States:  
**AL AT BE BG CH CY CZ DE DK EE ES FI FR GB GR HR HU IE IS IT LI LT LU LV MC MK MT NL NO PL PT RO RS SE SI SK SM TR**

(72) Inventor: **Soprano, Massimiliano**  
**00040 Lariano (RM) (IT)**

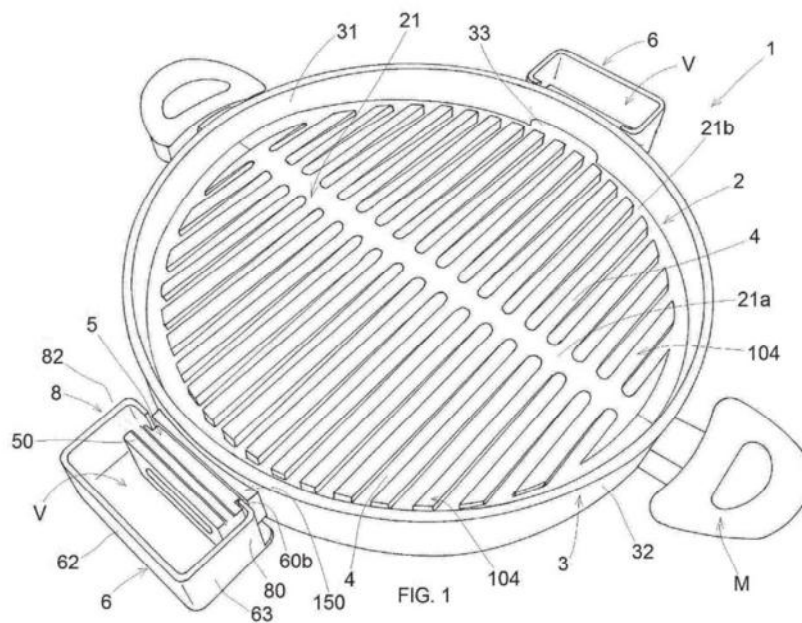
(74) Representative: **Baldi, Claudio**  
**Viale Cavallotti, 13**  
**60035 Jesi (AN) (IT)**

(30) Priority: **20.12.2012 IT AN20120166**

(43) Date of publication of application:  
**25.06.2014 Bulletin 2014/26**

(56) References cited:  
**US-A- 1 447 813 US-A- 4 352 324**  
**US-A- 5 606 905 US-A1- 2012 199 016**

(73) Proprietor: **Soprano, Massimiliano**  
**00040 Lariano (RM) (IT)**



**EP 2 745 756 B1**

Note: Within nine months of the publication of the mention of the grant of the European patent in the European Patent Bulletin, any person may give notice to the European Patent Office of opposition to that patent, in accordance with the Implementing Regulations. Notice of opposition shall not be deemed to have been filed until the opposition fee has been paid. (Art. 99(1) European Patent Convention).